

YKA2204MA Microstep Driver



Features :

- ◆ Highperformance,lowprice
- ◆ Provides10kindsofmicrostepselectionupmostmicrostepcan besetto64x
- ◆ Specialcontrolcircuit,greatlyreducenoise,increasesteadiness
- ◆ Upmostresponsefrequenceamountsto200Kpps
- ◆ Oncethepulsestopsfor100msthephasecurrentwill automaticallycutbyhalf
- ◆ Bipolarconstantcurrentchoppercontrol
- ◆ Photocouplerisolatedinput/output
- ◆ Drivecurrentrangefrom0.0A/phase~15A/phase
- ◆ Singlepowerinput,voltagerangefromDC15-40V
- ◆ ProtectioncircuitOverheatprotection
- Overcurrent,undervoltageprotection
- ◆ SizeWeight:5x21(mm)0.13kg

Typical application

Carvemachinelaserlabelingmachinelaserinternalcarvemachine

Description

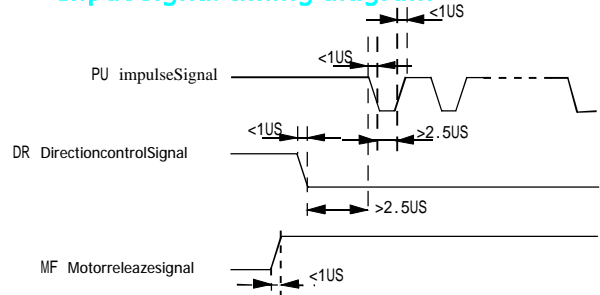
YKA2204MAisaconstanttorquedriverwithmicrostep,voltagerangefromDC15-40V

Itcanmatchtwophasehybridstepmotorswhoseratedcurrentunder15Aflangesizerangefrom42mm.

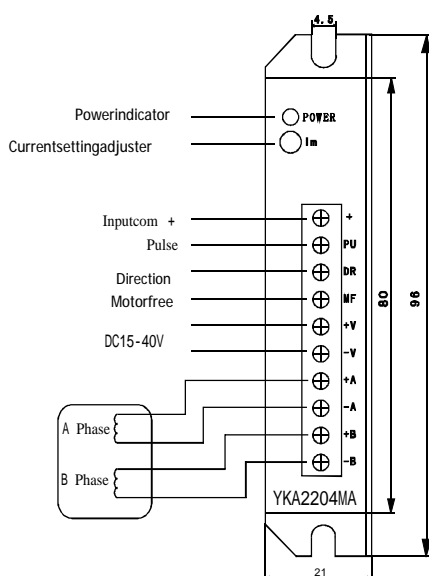
Electricity specification

Item	Minimum	Typical	Maximum
Supplyvoltage(DC)	15		40
Normaloutput	00		15
LogicInput		15	
Responsefrequency			
Pulselowstatetime (μS)	25		200

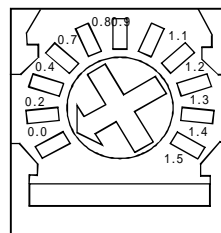
Input signal timing diagram



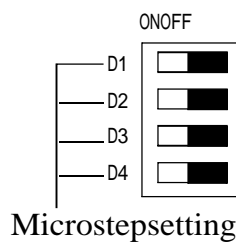
Driver connection



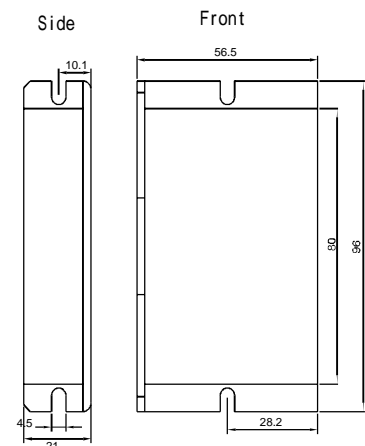
Running current setting



Function setting



Installation dimensions (unit: mm)



YKA2304ME microstep setting

Microstep	5	10	20	40	40	40	40	2	4	8	16	32	64	64	64
D4	OFF	ON	OFF	OFF	OFF	OFF	OFF	OFF	OFF	OFF	OFF	OFF	OFF	OFF	OFF
D3	OFF	OFF	ON	OFF	OFF	OFF	OFF	OFF	OFF	OFF	ON	OFF	OFF	ON	OFF
D2	OFF	OFF	OFF	ON	OFF	OFF	OFF	OFF	OFF	OFF	OFF	ON	ON	ON	OFF
D1	OFF	OFF	OFF	OFF	OFF	OFF	OFF	OFF	ON	ON	ON	ON	ON	ON	ON

Indication LED & Idle state current adjuster description

研控高性能两相混合

Mark	Function	Notes
POWER	Power indicator	When power on, the green LED lights
I _m	Origin/Pulse output indicator	Passing the origin or there is pulse output, the green LED lights
+	Input signal positive side	It can connect +5V or +24V, but +24V should add an extra resistor
PU	PU is pulse signal	Input resistance is 220Ω, input low: 0.5V, input high: 4.5V-, pulse width > 2.5 μs
DR	DR is direction control signal	Use to change the direction. Input resistance is 220Ω. Requirement in input low: 0.5V, input high: 4.5V, pulse width > 2.5 μs
MF	Motor free signal	Once effects, it will cut off the current, the driver stops working and sets the motor free
+V	Power +	DC 15-40V
-V	Power -	
+AA - +B、-B	Connect to the motor	